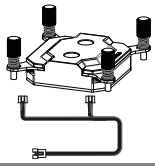

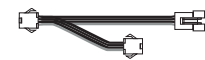

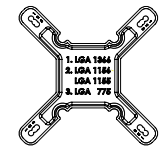

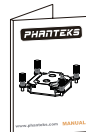
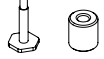


# Phanteks Glacier C350i

## INSTALLATION GUIDE

### PACKAGE CONTENTS

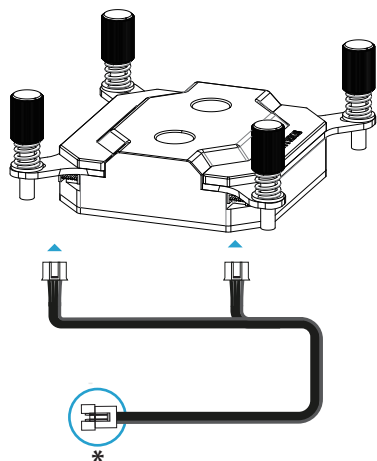
	Glacier C350i QTY: 1		Phanteks Motherboard RGB Adapter QTY: 1
	RGB LED Cable QTY: 1		RGB Y-Splitter QTY: 1
	Thermal Compound (PH-NDC_01) QTY: 1		Phanteks Back Plate QTY: 1
	Intel LGA 2011-3 Socket Screws QTY: 4		Phanteks Manual QTY: 1
	Intel LGA 775/115X/1366 Socket Screws, Black Studs QTY: 4 each		

**!** **DISCLAIMER** - This product is intended for advanced users. Please consult with a qualified technician for installation, improper installation may result in damage to your equipment. While all efforts have been made to provide the most comprehensive information possible, Phanteks assumes no liability expressed or implied for any damage(s) occurring to your components as a result of using Phanteks cooling products, either due to mistake or omission on our part in the below instructions, or due to failure or defect in the Phanteks cooling products.

**WARNING** - Turn off the power to your system and discharge your body's static electric charge by touching a grounded surface – for example, the metal surface of the power supply or chassis – before performing any hardware procedure. Phanteks assumes no liability for any damage, caused directly or indirectly, by improper installation of any components. If you do not feel comfortable with performing the installation procedure, consult a qualified computer technician.

**\*Please do not disassemble the water block. Warranty will be voided.**

## FOR INSTALLATION OF LGA 775/115X/1366



### STEP 1: CONNECTING THE RGB LED LIGHTING

Plug in the connectors of the RGB LED Cable as illustrated.

**\*After mounting the C350i on your motherboard:**

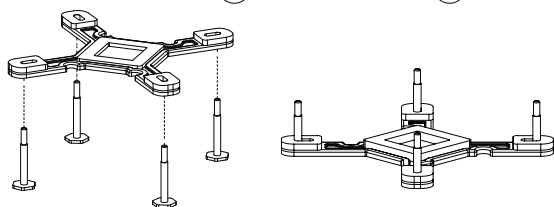
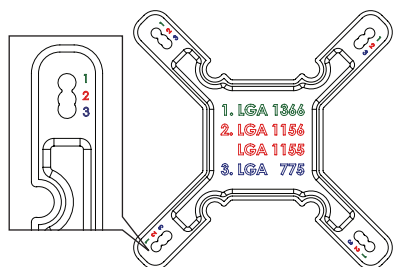
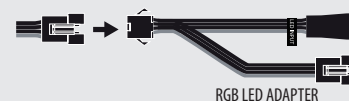
Two options to install the RGB lighting from the C350i block

- A. Connect to a compatible Phanteks Case (see Phanteks.com for compatibility)
- B. Connect to a compatible motherboard featuring a RGB header, using the RGB. (see Phanteks.com for compatibility)

A. CONNECT TO COMPATIBLE PHANTEKS CASE



B. CONNECT TO COMPATIBLE MOTHERBOARD



### STEP 2: SETTING UP THE BACK PLATE

To make sure you choose the correct position, please take a look at the mounting bracket. Choose the correct position by the numbers indicated on the bracket for your motherboard CPU socket.

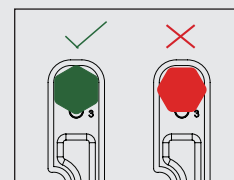
**Position 1: LGA 1366**

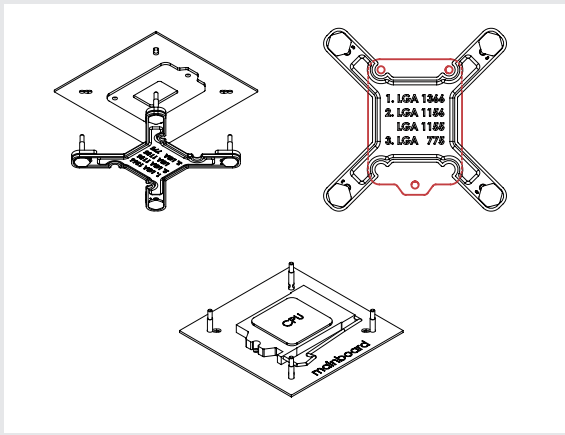
**Position 2: LGA 115x**

**Position 3: LGA 775**

Insert the four (4) screws into the correct position indicated on the mounting bracket.

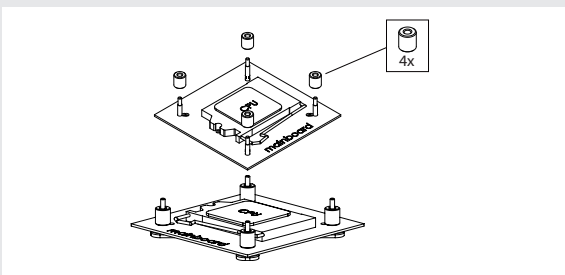
**!** Please verify that all four screws are inserted correctly.





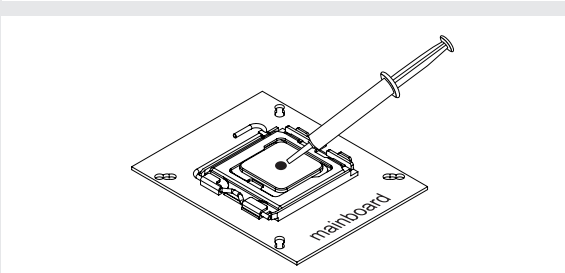
### STEP 3: SETTING UP THE BACK PLATE (cont.)

Place the back plate on the rear side of the motherboard, so that the socket screws will stick through the socket mounting holes. Please see image for reference.



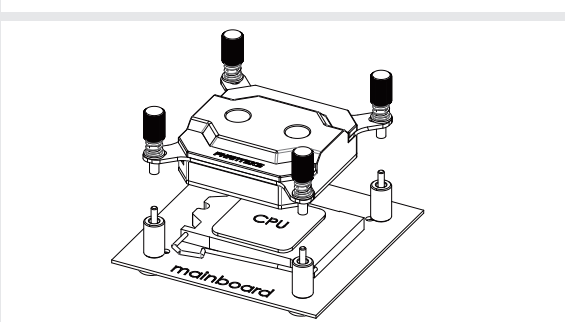
### STEP 4: INSTALLING THE STUDS

Place the four (4) included studs onto the socket screws.



### STEP 5: APPLYING THERMAL PASTE

Remove any residual traces of thermal paste or thermal pads on your CPU before you add the new PH-NDC thermal paste. It is recommended to use a 70- to 90-percent isopropyl alcohol when removing thermal grease. While holding the chip by its sides, gently rub the thermal grease off with a cotton swap saturated in isopropyl alcohol. Once the old thermal paste is removed, use a small amount (4-5mm diameter) of the PH-NDC and apply to the center of the CPU surface.



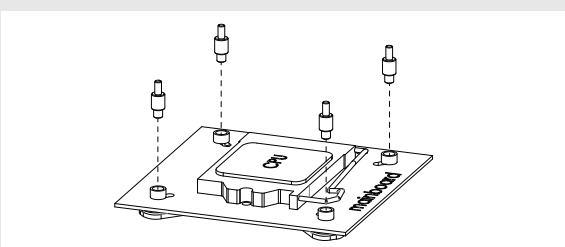
### STEP 6: INSTALLING THE C350i TO THE BRACKET

With the C350i's design, the CPU block can be installed in both orientation (horizontally/vertically). Make sure to remove the protective film on the copper base of the C350i first. With the protective film off, place the C350i on top of the CPU and tighten the screws by hand.



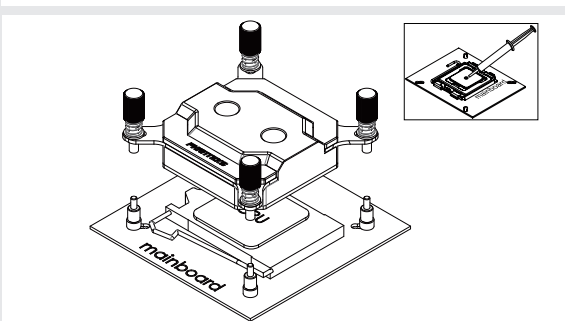
*Do not use force to overturn the screw, please stop when the screw is at a natural stop.*

## INTEL LGA 2011-3 INSTALLATION



### STEP 1: INSTALLING THE SOCKET SCREWS TO THE MOTHERBOARD

Insert the four (4) socket screws (Intel LGA 2011-3 Socket Screws) directly into the motherboard.



### STEP 2: SECURING THE SOCKET SCREWS TO THE C350i

For instruction on how to apply the thermal paste, please see **Installation of LGA 775/115X/1366, Step 5.**

Remove the protection film from the bottom of the C350i copper base first. Place the C350i on top of the CPU and tighten the screws.



*Do not use force to overturn the screw, please stop when the screw is at a natural stop.*