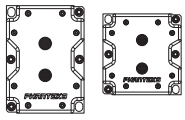
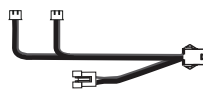


PACKAGE CONTENTS

For latest version check www.Phanteks.com



GLACIER C3647i
Narrow or Square
QTY: 1



CPU Block D-RGB Cable
QTY: 1



Thermal Compound
PH-NDC-01
QTY: 1

WARNING – This product is intended for advanced users. Improper installation may result in damage to your equipment. While all efforts have been made to provide the most comprehensive information possible, Phanteks assumes no liability expressed or implied for any damage(s) occurring to your components as a result of using Phanteks cooling products, either due to mistake or omission on our part in the below instructions, or due to failure or defect in the Phanteks cooling products. Do not disassemble the water block. Warranty will be voided.

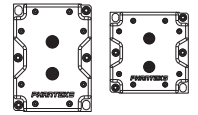
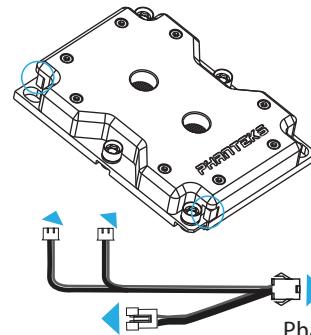
Turn off the power to your system and discharge your body's static electric charge before proceeding with the installation procedure. If you do not feel comfortable with performing the installation procedure, consult a qualified computer technician.

STEP 1. CONNECT D-RGB LIGHTING

Connect the D-RGB cable to the D-RGB strip in the water block.

PRO TIP All Phanteks D-RGB products can be daisy-chained together.

PRO TIP You can connect the D-RGB cable to the addressable header on the motherboard with the cable that is included with the motherboard.



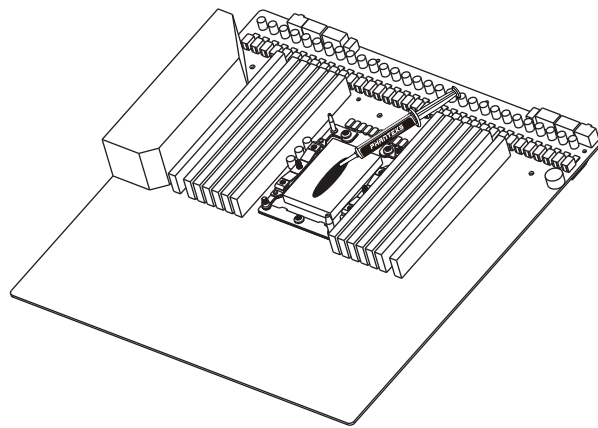
Connect to
Phanteks Case / Motherboard Cable

STEP 2. APPLYING THERMAL PASTE

Clean off the original thermal compound. We recommend using isopropanol alcohol.

Apply a line of thermal paste down the middle of the CPU heatspreader.

PRO TIP Check the Intel website for additional installation instructions for the LGA 3647 Socket (Socket P).



STEP 3. MOUNT THE CPU BLOCK

Mount the CPU block on the socket and tighten the screws in the instructed order.

WARNING Always perform a leak test before providing power to any system components.

