

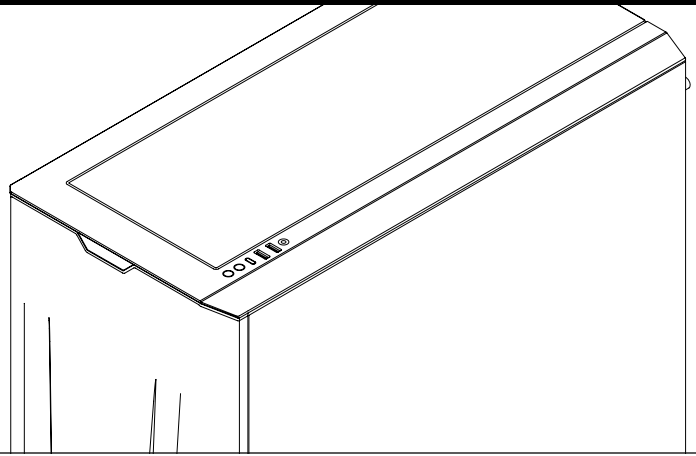
INSTRUCTIONS

Thank you for choosing Phanteks. This manual will guide you through the installation process of the Eclipse G500A chassis. If you have any questions, please contact us through our customer service or social media.

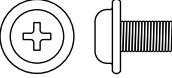

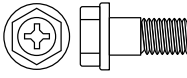
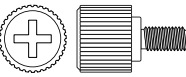
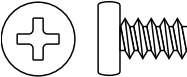
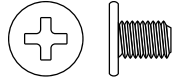
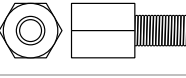


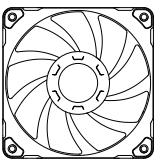
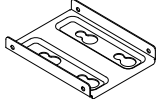
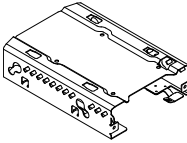

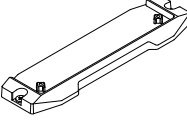

This manual is for the following models:

PH-EC500GA_DBK01A	D-RGB Satin Black	3x 140mm D-RGB Fans Black
PH-EC500GA_DMW01A	D-RGB Matte White	3x 140mm D-RGB Fans White
PH-EC500GA_BBK01	Performance	4x 140mm Fans Black
PH-EC500GA_DBK01B	D-RGB Fanless	No Fans

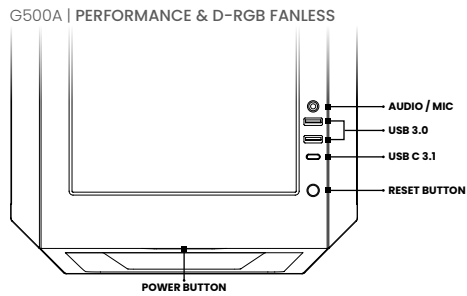
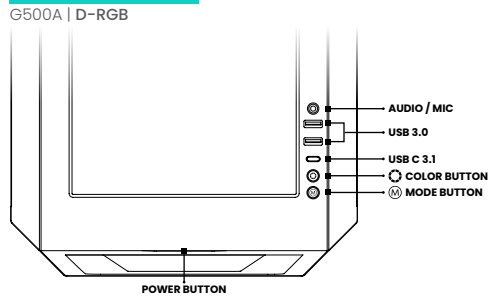
Phanteks will not take responsibility for any damages incurred due to incorrect installation or usage of this product.



INCLUDED ACCESSORIES

 SSD + MOTHERBOARD SCREW 22x	 PSU SCREW 7x	 HDD LOCKING SCREW 8x
 THUMB SCREW 12x	 FAN SCREW 8x	 CASE SCREW 6x
 MOTHERBOARD STAND-OFF 1x	 RISER CABLE SCREW 3x	 STANDOFF REMOVAL TOOL 1x
 M25-140MM FAN depending on model	 2.5" SSD BRACKET 3x pre-installed	 3.5" HDD BRACKET 2x pre-installed
 ANTI-SAG BRACKET 1x	 VERTICAL GPU MOUNT 1x	 ZIP TIE 6x

FRONT I/O



D-RGB CONTROLS

Only applicable for the following models:
PH-EC500GA_DBK01A & PH-EC500GA_DMW01A

MODES	COLORS
<ul style="list-style-type: none"> SOLID BREATHING SPARKLE MULTI-COLOR 	

TURN OFF LEDs

(M) Press and hold the MODE button for two seconds to turn off LEDs, press again to turn it ON

NOTE | D-RGB control buttons are deactivated when connected to a motherboard.

FAN & RADIATOR SUPPORT

FANS	FRONT	TOP	REAR
120mm	3x	3x	1x
140mm	3x	3x	1x
RADIATOR			
120mm	up to 360	up to 360	up to 120
140mm	up to 420	up to 280	up to 140

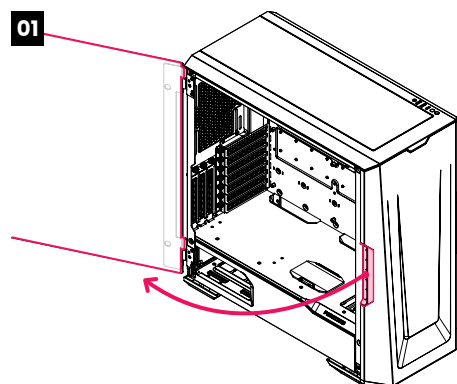
CLEARANCE

CPU Cooler Height	— 185 mm
GPU Length	— 435 mm
Power Supply	— 250 mm <small>195mm if all 4 bottom HDD positions used</small>
Front Panel Fan	— 33 mm <small>Behind front panel</small>
Front 360 Radiator	— 95 mm
Top 360 Radiator	— 70 mm
Front 420 Radiator	— 142 x 475 mm

PANEL REMOVAL

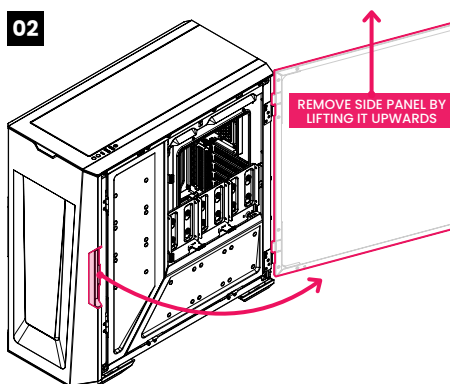
It is recommended to remove all external panels before starting the installation process. The G500A comes with storage cover panels that are behind the right side panel, these support up to 6x 2.5" SSDs next to the 3x 2.5" SSD pre-installed brackets.

LEFT SIDE PANEL



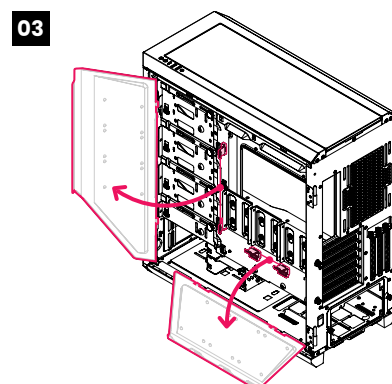
Open the left side panel and lift upwards to remove it.

RIGHT SIDE PANEL



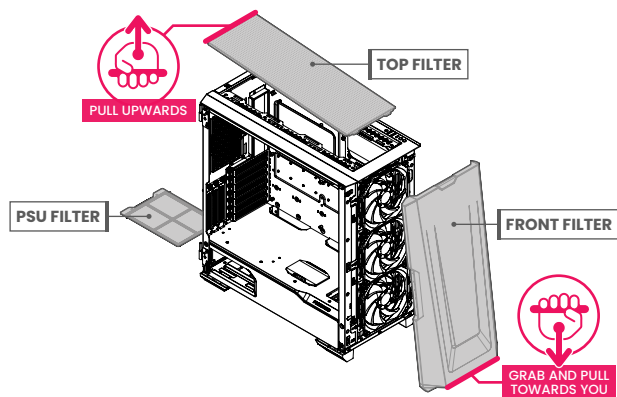
Open the right side panel and lift upwards to remove it.

COVER PANELS



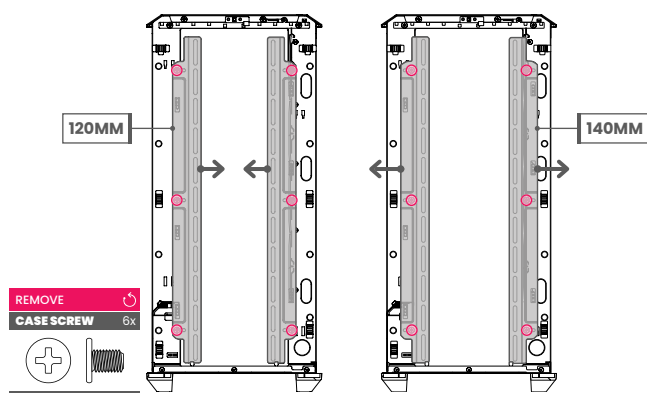
To access the storage space, push down the clips on each cover panel to release it.

FRONT PANEL & DUST FILTERS



Remove the front panel by pulling the panel from below towards you. The top filter can also be removed by pulling it upwards at the rear. The PSU filter can be removed by sliding it outwards.

FRONT FAN BRACKETS

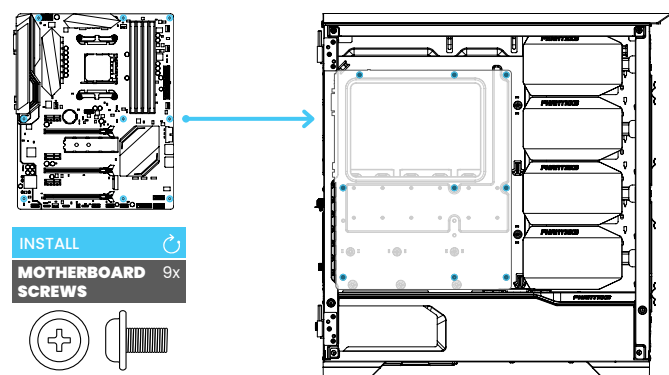


The front fan brackets can be secured in the 120mm fan position by 6x screws.

Out of the box the brackets are set to 140mm position.

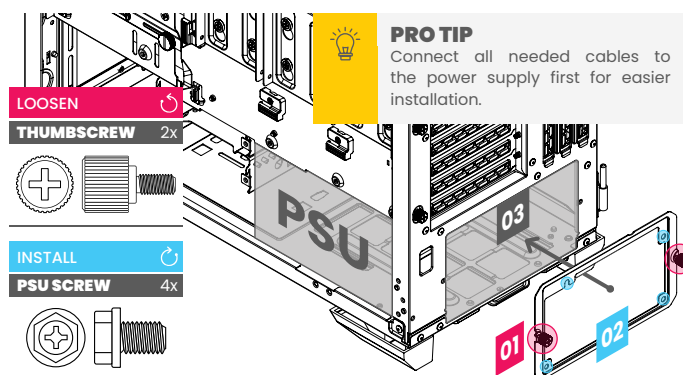
HARDWARE INSTALLATION

MOTHERBOARD



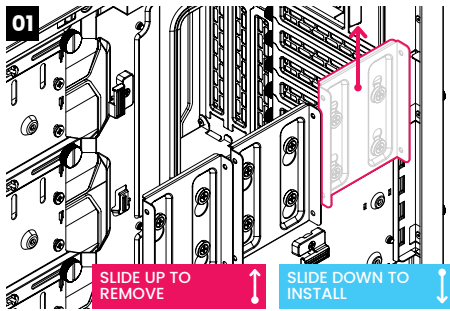
Install the ATX motherboard using 9x motherboard screws. For M-ATX Motherboards follow the motherboard instructions to move the stand-offs to the correct position. Use the 'stand-off removal tool' when using a smaller motherboard.

POWERSUPPLY

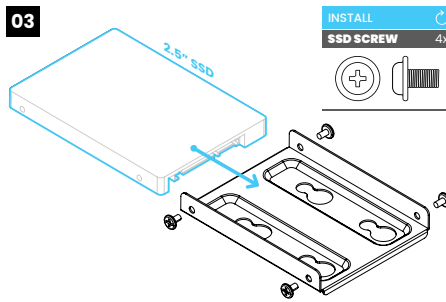


(01) Remove the PSU bracket first by loosening the 2x thumb screws. (02) Install the power supply with 4x PSU screws onto the bracket. (03) Place it back into the chassis and tighten the 2x thumb screws.

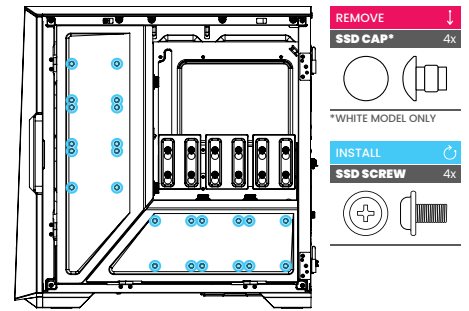
STORAGE | 2.5" SSD



Slide the SSD Bracket up to remove it from the chassis.

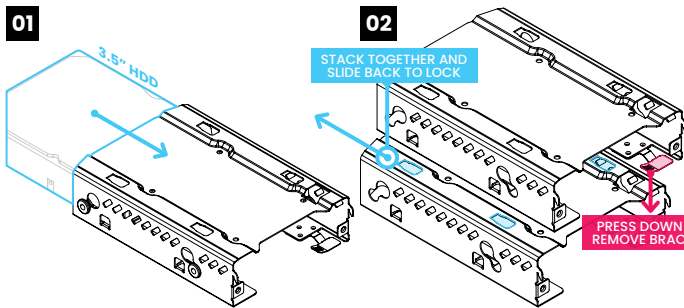


Secure the SSD with 4x SSD screws to the SSD Bracket.

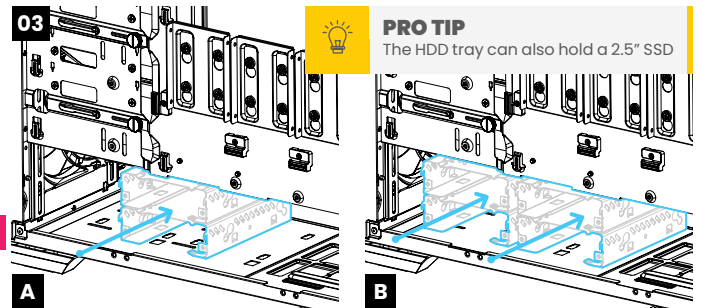


For even more storage, secure the SSD with 4x SSD screws directly onto the panels.

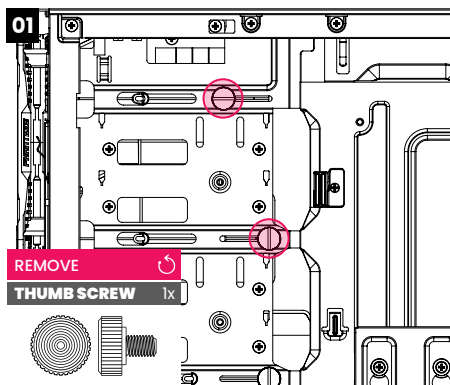
STORAGE | 3.5" HDD



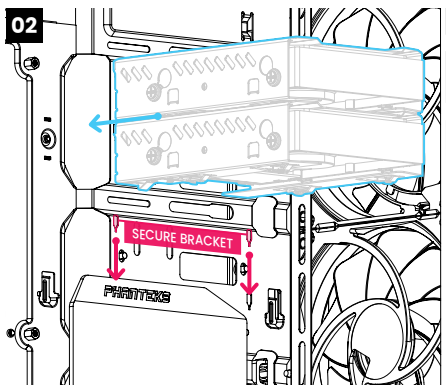
Slide the 3.5" HDD into the HDD cage. When installing 2x 3.5" HDD brackets, stack them first before placing into the chassis.



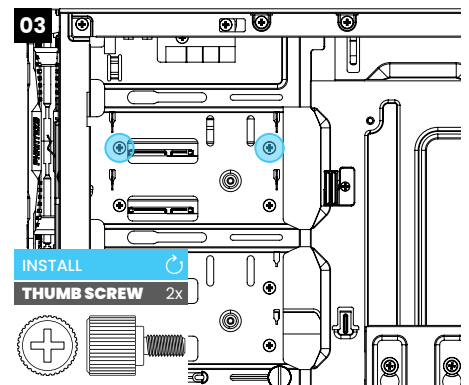
Slide the HDD bracket into the bottom part of the chassis, make sure they click when installed to be sure it is installed correctly.



Remove the HDD thumb screw to remove the cable cover(s) on the inside of the chassis.



Slide the HDD bracket in, then press it down to secure it.

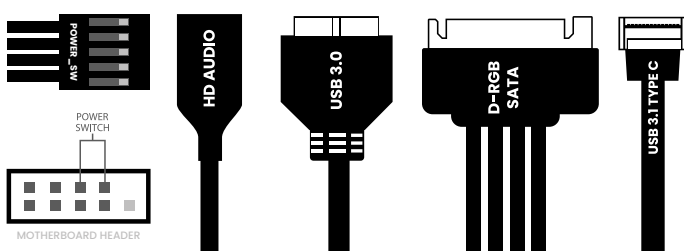


To lock the HDD bracket, use 2x Thumb screws per bracket.

CABLES

Connect the front I/O cables to the motherboard and power supply.

MOTHERBOARD FRONT I/O

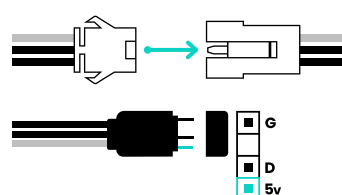


D-RGB CABLES

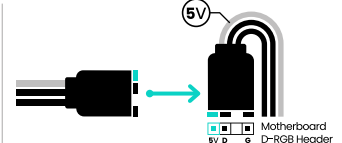
Only applicable for the following models:
PH-EC500GA_DBK01A, PH-EC500GA_DMW01A & PH-EC500GA_DBK01B

More D-RGB lighting products can be connected to the integrated D-RGB controller. Optionally, lighting can be connected and controlled via motherboard software.

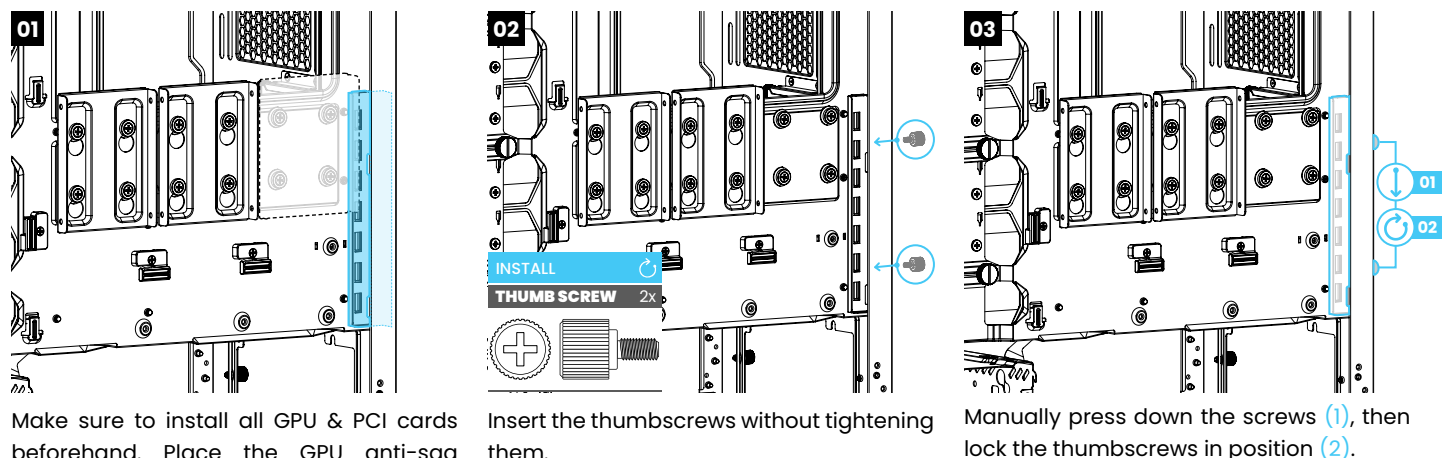
EXPAND WITH MORE D-RGB PRODUCTS



SYNC LIGHTING TO THE MOTHERBOARD



ANTI-SAG BRACKET



Make sure to install all GPU & PCI cards beforehand. Place the GPU anti-sag bracket at the back. For easy access, remove the SSD bracket first.

Insert the thumbscrews without tightening them.

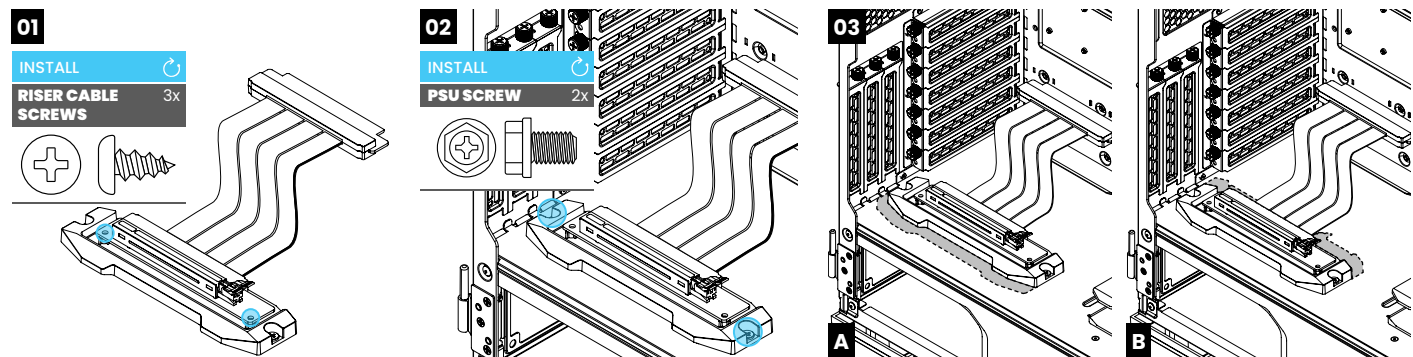
Manually press down the screws (1), then lock the thumbscrews in position (2).

OPTIONAL UPGRADE

INCLUDED VERTICAL GPU MOUNT

GEN 4 RISER CABLE SOLD SEPARATELY [PH-CBR4.0_FL22](#)

The G500A chassis supports the placement of a vertical GPU with the included vertical GPU mount. The Vertical GPU mount has two mounting positions, A or B as seen at step 03.



Connect the riser cable to the vertical GPU mount and secure it with 2x long riser cable screws.

Secure the Vertical GPU mount on the chassis with 2x PSU screws.

Position A can hold 3-slot GPU cards.

Position B can hold 2-slot GPU cards.

OPTIONAL UPGRADE

GEN 4 VERTICAL GPU BRACKET [PH-VGPUKT4.0_03](#) (GEN 4.0 RISER CABLE INCLUDED)

As an alternative, the G500A supports the Phanteks Vertical GPU Bracket which supports up to a 4 slots GPU. Also this bracket puts the GPU further away from the tempered glass panel for increased airflow.

