

THIS MANUAL IS FOR THE FOLLOWING MODELS

Dieses Handbuch gilt für die folgenden Modelle | Ce manuel concerne les modèles suivants | Este manual es para los siguientes modelos | 此手册适用于以下型号

- PH-GO240D30_XXX01** Glacier One D30-240
- PH-GO360D30_XXX01** Glacier One D30-360
- PH-GO420D30_XXX01** Glacier One D30-420

Legenda

Legende | Légende | Leyenda | 传奇

- **Remove** | Entfernen | Retirer | Eliminar | 移除
- **Install** | Installieren | Installer | Instalar | 安装
- **Loosen** | Lösen | Desserrer | Aflojar | 拧松

EN Phanteks will not take responsibility for any damages incurred due to incorrect installation or usage of this product.

DE Phanteks übernimmt keine Verantwortung für Schäden, die durch eine falsche Installation oder Verwendung dieses Produkts entstehen.

FR Phanteks décline toute responsabilité en cas de dommages résultant d'une installation ou d'une utilisation incorrecte de ce produit.

ES Phanteks no se responsabilizará de los daños ocasionados por la instalación o el uso incorrectos de este producto.

CN Phanteks 不会对安装中失误造成的任何损失负责, 请仔细阅读本手册。

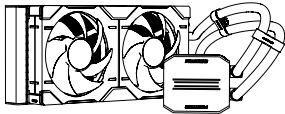


Online Manual
Online-Handbuch
Manuel en ligne
Manual en línea
在线手册

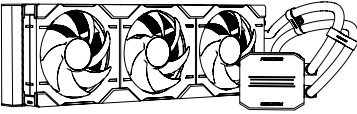
SCOPE OF DELIVERY

Lieferumfang | Contenu de la livraison | Alcance de la entrega | 供货范围

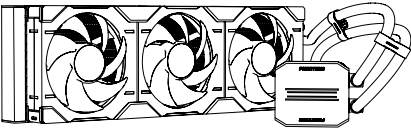
GLACIER ONE D30



Glacier One D30-240
1x 240 Radiator | 2x D30-120mm Fans



Glacier One D30-360
1x 360 Radiator | 3x D30-120mm Fans



Glacier One D30-420
1x 420 Radiator | 3x D30-140mm Fans

ACCESSORIES

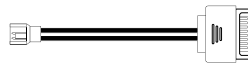
Zubehör | Accessoires | Accesorios | 配件



3-Pin D-RGB Motherboard Adapter
1x 600mm

PH-NDC Thermal Compound
1x

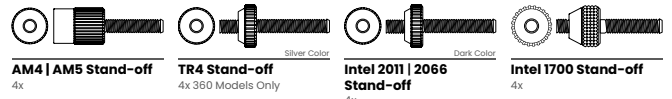
Tube Clip
3x



SATA to 2-Pin Pump Adapter
1x

MOUNTING HARDWARE

Montagematerial | le matériel de montage | accesorios de montaje | 安装硬件

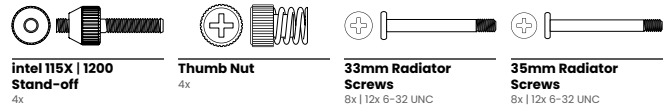


AM4 | AM5 Stand-off
4x

TR4 Stand-off
4x 360 Models Only

Intel 2011 | 2066 Stand-off
4x

Intel 1700 Stand-off
4x

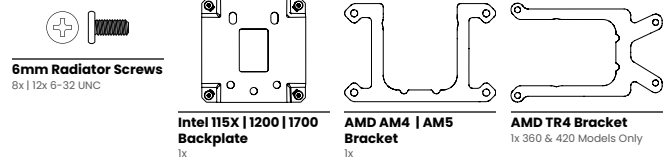


Intel 115X | 1200 Stand-off
4x

Thumb Nut
4x

33mm Radiator Screws
8x | 12x 6-32 UNC

35mm Radiator Screws
8x | 12x 6-32 UNC



6mm Radiator Screws
8x | 12x 6-32 UNC

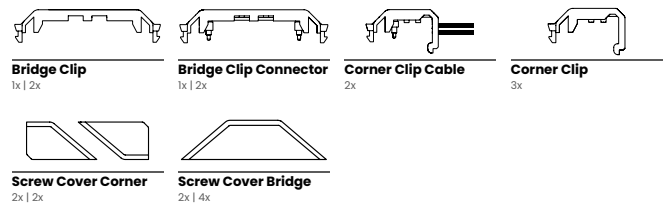
Intel 115X | 1200 | 1700 Backplate
1x

AMD AM4 | AM5 Bracket
1x
Intel Bracket Pre-installed

AMD TR4 Bracket
1x 360 & 420 Models Only

D30 ACCESSORIES

D30-Zubehör | Accessoires D30 | Accesorios D30 | D30配件



Bridge Clip
1x | 2x

Bridge Clip Connector
1x | 2x

Corner Clip Cable
2x

Corner Clip
3x

Screw Cover Corner
2x | 2x

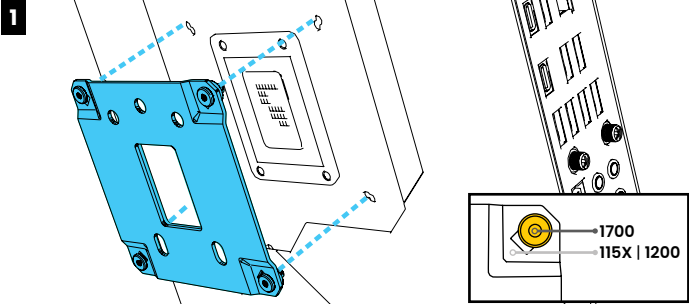
Screw Cover Bridge
2x | 4x

GLACIER ONE D30

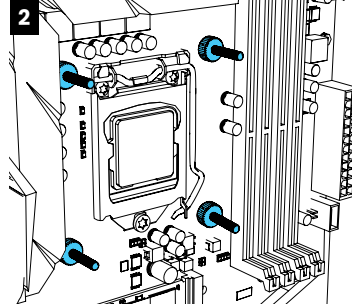
PREPARE MOTHERBOARD

Bereiten Sie das Motherboard vor | Préparer la carte mère | Preparar placa base | 准备主板

INTEL 115X | 1200 | 1700



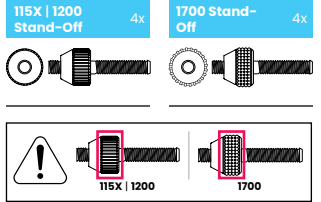
Insert the backplate through the motherboard.



Secure the backplate with the 4x Stand-offs. Make sure to use the correct socket stand-off.

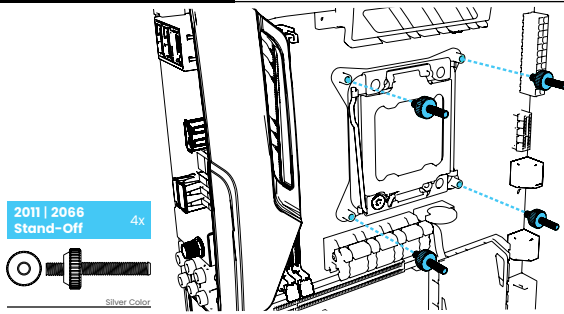
PROCEED TO STEP 2. >

Fahren Sie mit Schritt 2 fort. | Passez à l'étape 2. | Continúe con el paso 2. | 继续执行步骤 2.



ATTENTION
Check the stand-off texture to make sure you got the correct socket stand-off.

INTEL 2011 | 2066

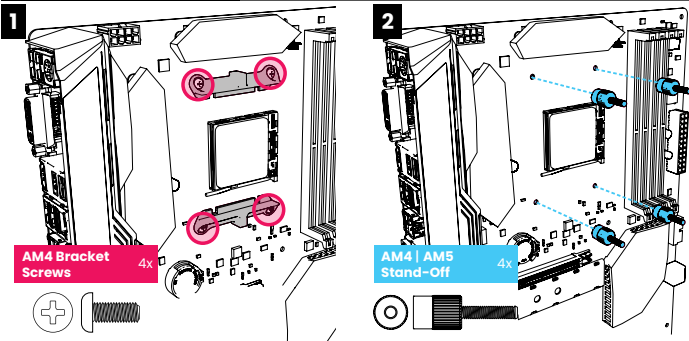


Secure the 4x Intel 2011 | 2066 Stand-offs to the motherboard.

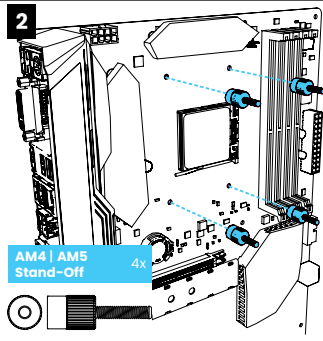
PROCEED TO STEP 2. >

Fahren Sie mit Schritt 2 fort. | Passez à l'étape 2. | Continúe con el paso 2. | 继续执行步骤 2.

AMD AM4 | AM5



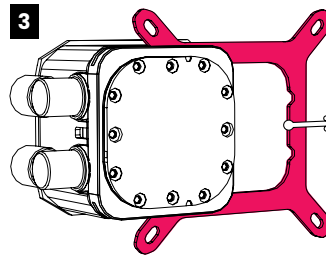
Remove the stock mounting brackets.



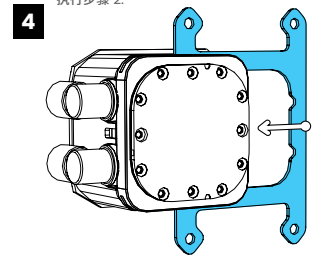
Secure the 4x AM4/AM5 Stand-offs to the motherboard.

PROCEED TO STEP 2. >

Fahren Sie mit Schritt 2 fort. | Passez à l'étape 2. | Continúe con el paso 2. | 继续执行步骤 2.

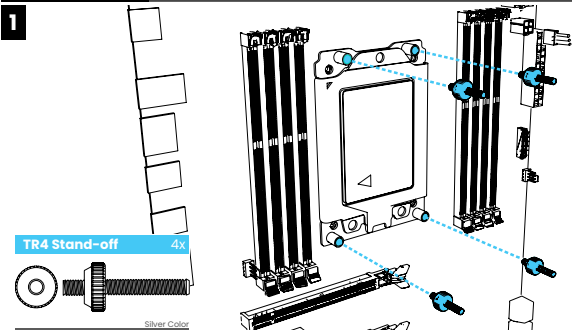


Remove the pre-installed Intel bracket first by sliding it off the cooling module.

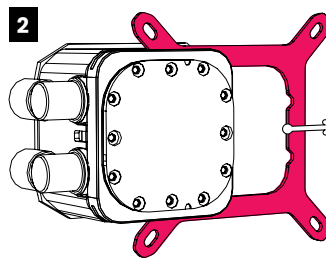


Attach the AM4/AM5 bracket by sliding it on the cooling module.

AMD TR4



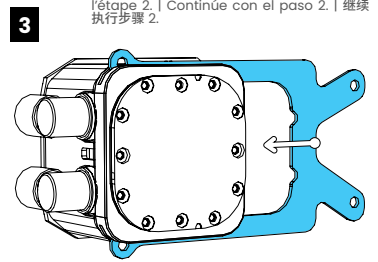
Secure the 4x TR4 Stand-offs to the motherboard.



Remove the pre-installed Intel bracket first by sliding it off the cooling module.

PROCEED TO STEP 2. >

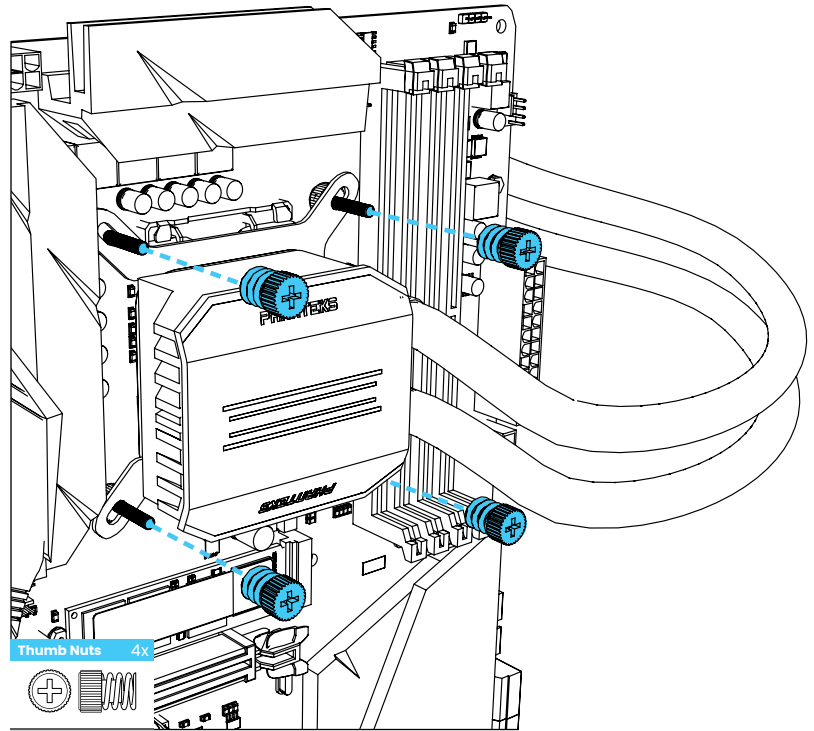
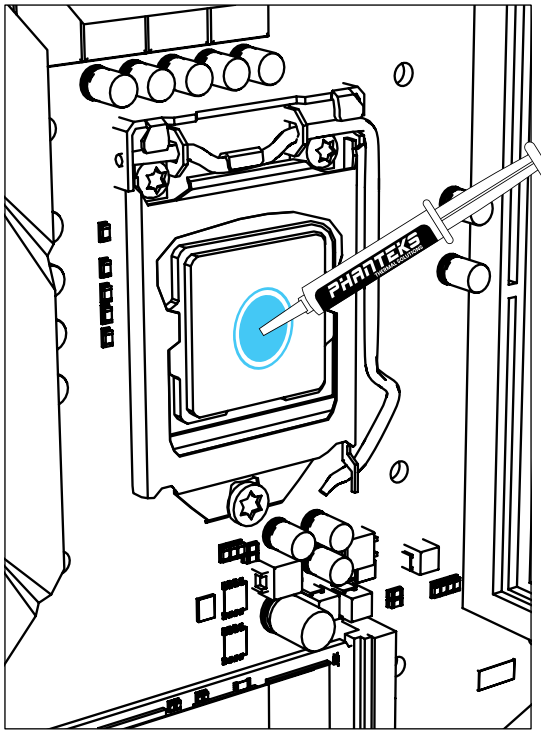
Fahren Sie mit Schritt 2 fort. | Passez à l'étape 2. | Continúe con el paso 2. | 继续执行步骤 2.



For the AMD TR4 socket, slide the bracket on the cooling module.

INSTALLING THE CPU BLOCK

Installieren des CPU-Blocks | Installation du bloc CPU | Instalación del bloque de la CPU | 安装 CPU 块



Secure the CPU block to the stand-offs on the motherboard with the 4x thumb nuts.

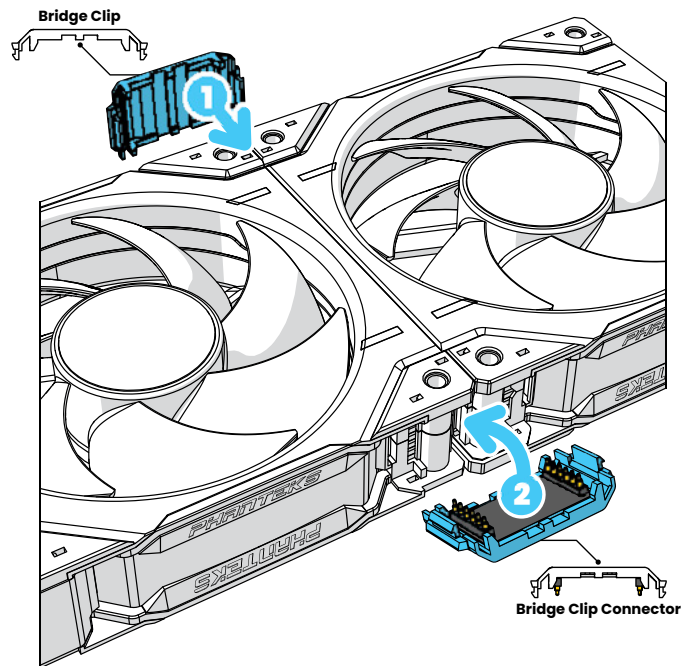
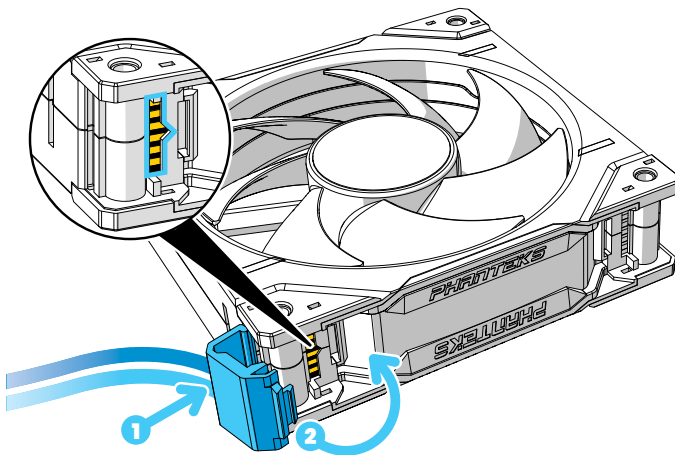


PRO TIP

The thermal compound is pre-applied. More thermal compound is included for future installations.

PREPARE D30 FANS

Bereiten Sie D30-Lüfter vor | Préparer les ventilateurs D30 | Preparar ventiladores D30 | 准备D30风扇



ATTENTION

Make sure to read and follow all the steps in the D30-120 manual for correct installation.

AUFMERKSAMKEIT | ATTENTION | ATENCIÓN | 注意力

Lesen und befolgen Sie unbedingt alle Schritte im D30-120-Handbuch für eine korrekte Installation.

Assurez-vous de lire et de suivre toutes les étapes du manuel du D30-120 pour une installation correcte.

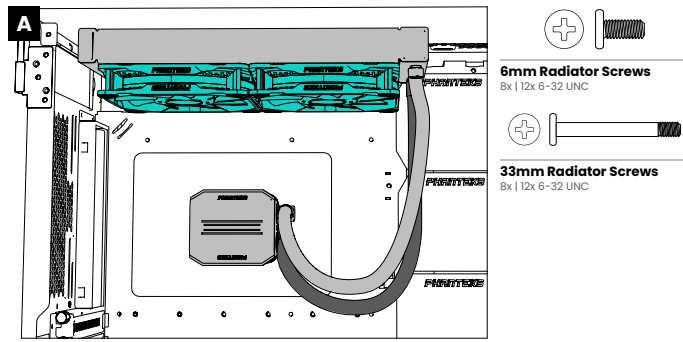
Asegúrese de leer y seguir todos los pasos del manual D30-120 para una correcta instalación.

确保阅读并遵循 D30-120 手册中的所有步骤以正确安装。

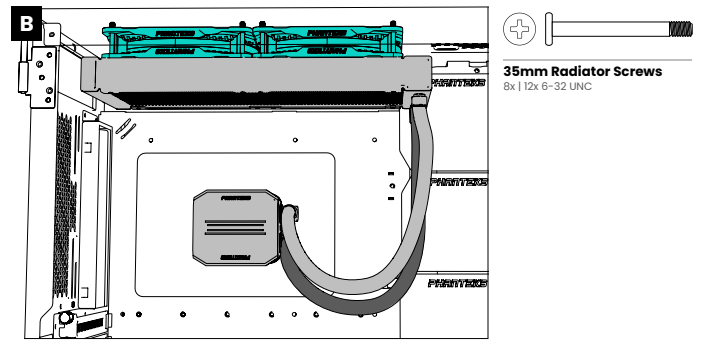
GLACIER ONE D30

CHASSIS INSTALLATION

Chassis-Installation | Installation du châssis | Instalación del chasis | 底盘安装



Use the 30mm radiator screws to mount fans to the radiator and the 6mm screws to mount the radiator directly to the chassis.



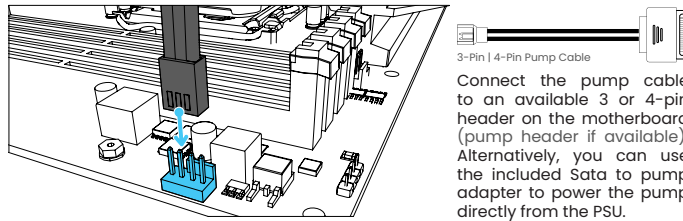
Use the 35mm radiator screws to mount the fan to the radiator and chassis.

CABLE INSTALLATION

Kabel-Installation | Pose de câble | Instalación de cables | 电缆安装

CONNECT PUMP CABLE

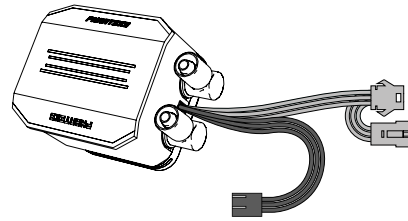
Pumpenkabel anschließen | Connecter le câble de la pompe | Conecte el cable de la bomba | 连接泵电缆



Connect the pump cable to an available 3 or 4-pin header on the motherboard (pump header if available). Alternatively, you can use the included Sata to pump adapter to power the pump directly from the PSU.

CONNECT D-RGB

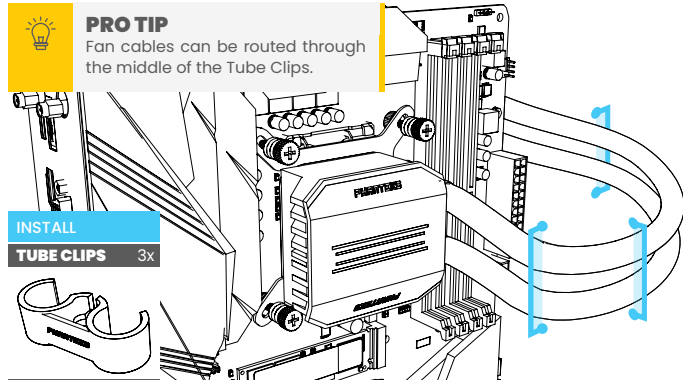
Schließen Sie D-RGB an | Connecter D-RGB | Conectar D-RGB | 连接D-RGB



The D-RGB pump and fan lighting need a controller to function. Connect to an ARGB-equipped motherboard with the included D-RGB Motherboard adapter or use a Phanteks D-RGB Controller. Phanteks D-RGB Controller is sold separately (PH-CTHUB_DRGB_01)

INSTALL TUBE CLIPS

Rohrklemmen anbringen | Installer les clips de tube | Instalar clips de tubo | 安装管夹



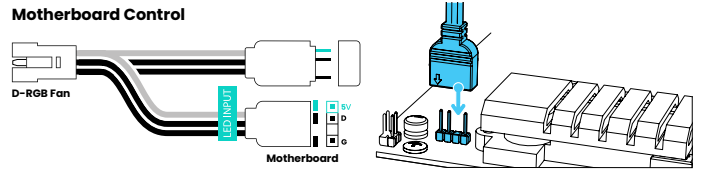
PRO TIP
Fan cables can be routed through the middle of the Tube Clips.

INSTALL
TUBE CLIPS 3x

Install the (3x) included Tube Clips for a tidy tube routing. Simply snap the clips on the tubes.

D-RGB CONTROL

D-RGB-Steuerung | Contrôle D-RGB | Control D-RGB | D-RGB 控制



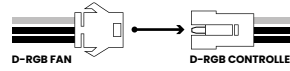
*Follow motherboard manual for instructions on D-RGB control
*Befolgen Sie für Anweisungen zur D-RGB-Steuerung das Motherboard-Handbuch
*Suivez le manuel de la carte mère pour obtenir des instructions sur le contrôle D-RGB
*Siga el manual de la placa base para obtener instrucciones sobre el control D-RGB
*按照主板手册了解 D-RGB 控制说明

D-RGB EXPANSION

D-RGB-Erweiterung | Extension D-RGB | Expansión D-RGB | D-RGB 扩展

Phanteks D-RGB Controller

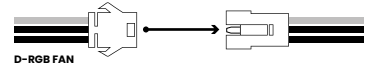
D-RGB-Erweiterung
Extension D-RGB
Expansion D-RGB
Phanteks D-RGB 控制器



Connect to the D-RGB Controller with JST connector.

Expand with more D-RGB products

Erweitern Sie mit weiteren D-RGB-Produkten
Développez-vous avec plus de produits D-RGB
Expanda con más productos D-RGB
通过更多 D-RGB 产品进行扩展



Daisy-chain Phanteks D-RGB products together with the JST-Connector.

SUPPORT & WARRANTY

Lieferumfang | Contenu de la livraison | Alcance de la entrega | 供货范围

RMA & Technical Support Americas

Monday-Friday 9:00-5:00 PST
+1(909)598-2115
support@phanteksusa.com
Social Media: @Phanteks

RMA & Technical Support International

support@phanteks.com
Social Media: @Phanteks

For spare parts and optional upgrades please visit:
www.axpertec.com (EU) | www.phanteksusa.com (US)



Phanteks Taiwan Inc.
11F, No. 150, Jian 1st Rd,
Zhonghe Dist. New Taipei City 235
Taiwan

Importer EU
Axpertec Int. B.V. (EU)
Sydneystraat 33
3047 BP Rotterdam
The Netherlands

Importer US
Axpertec Inc. (US)
20485 E Walnut Dr. N
City of Industry, California 91789
United States