

STEP 01 | CONNECT FANS

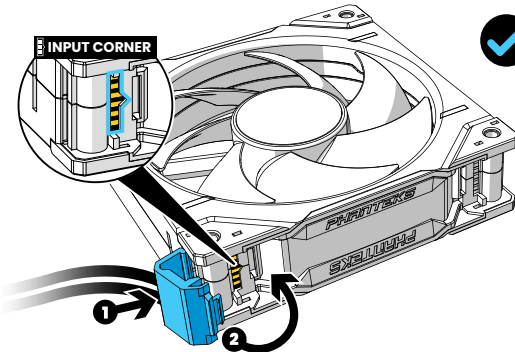
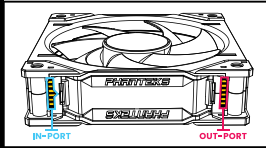
CONNECT UP TO FOUR D30-120 FANS



ATTENTION

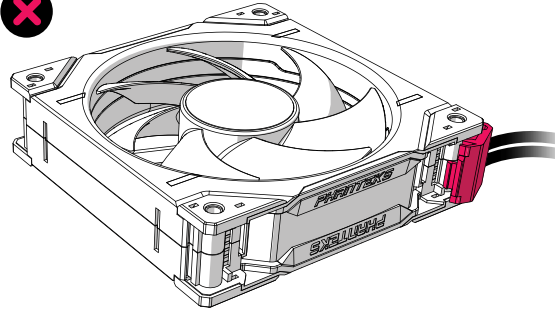
CONNECT THE CABLE TO THE **IN-PORT**

The D30-120 has an IN-port and an OUT-port, ensure that the cable is connected to the **IN-PORT**.



1. Connect Cable to the IN-Port

Connect the Cable Corner Clip to the fan frame as shown to the IN-port of the D30 fan.

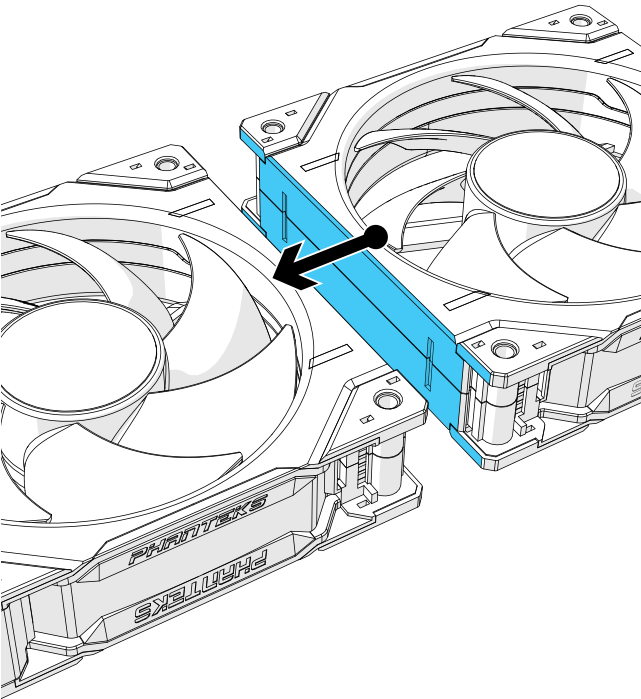


Do Not Connect the Cable to the OUT-Port

The OUT-port only serves to pass through the signal to the next D30 fan.

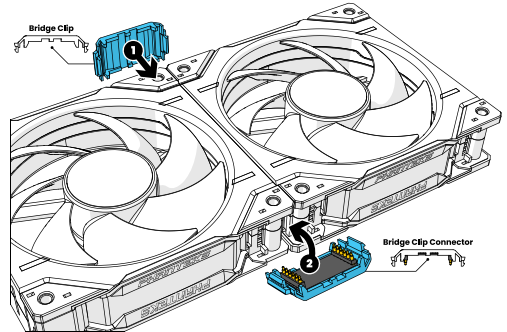
2. Align Fans

Align the next fan closely together. Up to a maximum of four fans total.



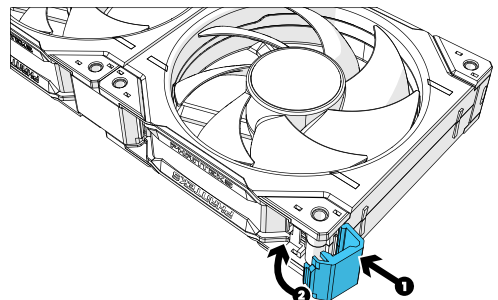
3. Connect Fans With Bridge Clips

Connect the bridge clips to secure the fans together.



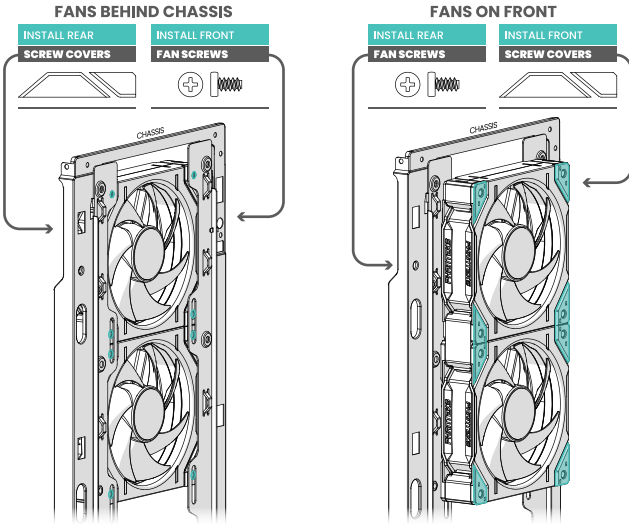
4. Connect The Remaining Corner Clips

Use 3x Corner Clips to close of the remaining fan frame corners.

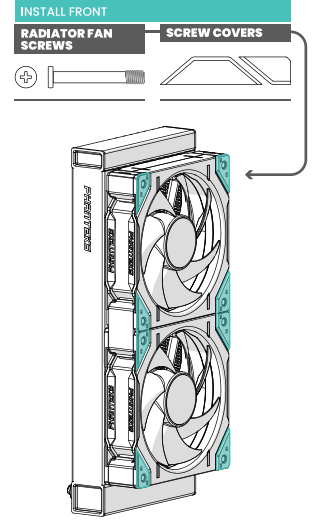


STEP 02 | INSTALL FANS TO CHASSIS

CHASSIS INSTALLATION



RADIATOR INSTALLATION



D-RGB CABLE CONNECTION

A | To Phanteks D-RGB Chassis | Controller
Connect directly with the JST connector.

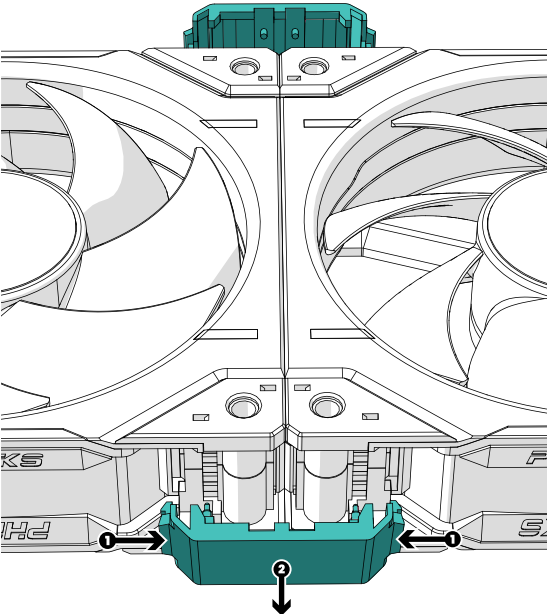
B | To D-RGB motherboard *Follow motherboard manual for D-RGB control
Use motherboard adapter to connect to an A-RGB equipped motherboard.



STEP 03 | DISCONNECT FANS

1. Remove Bridge Clips

Push in (1), and release the bridge clips by pulling it away from the D30-120 fan frame (2).



2. Remove Corner Clips

Push in (1), and rotate the corner clip outward from the D30-120 fan frame to remove it (2). This is for every corner clip located on the fan.

